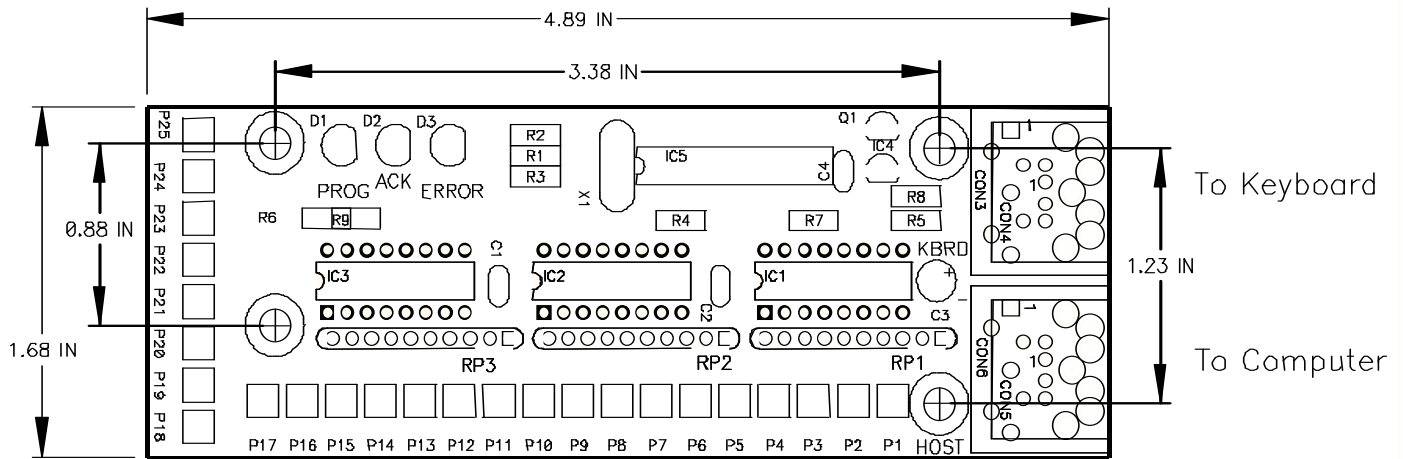


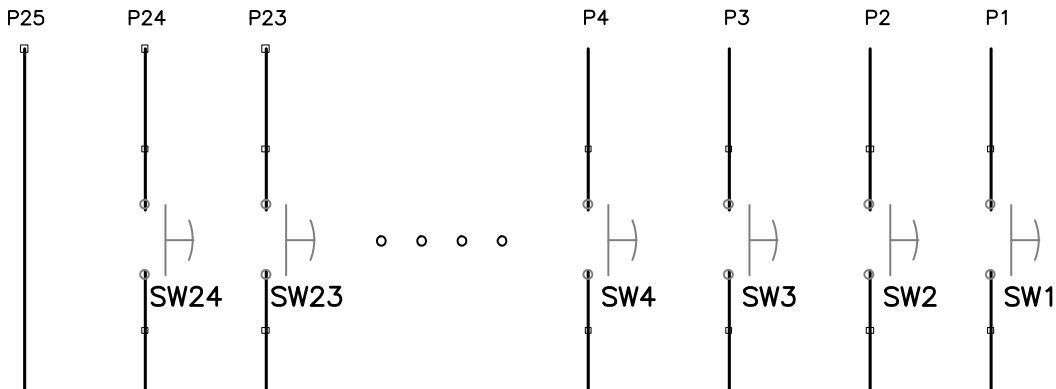
MAMI2401BP 24 input Keyboard Emulator

Board and connections:



P1 - P24 : 24 CMOS Active high switch inputs. 0V=off,5V=on
 P25 : Common 5V for switches.

Switch circuit



DEFAULT MAPPINGS

PLAYER1		Device	Key
P1	RIGHT	Joystick1	R arrow
P2	LEFT	Joystick1	L arrow
P2	UP	Joystick1	U arrow
P4	DOWN	Joystick1	D arrow
P5	F1	Switch	F1
P6	F2	Switch	F2
P7	F3	Switch	F3
P8	F4	Switch	F4
P9	F5	Switch	F5
P10	F6	Switch	F6
P11	F7	Switch	F7
P12	F8	Switch	F8
P13	F9	Switch	F9
P14	F10	Switch	F10
P15	F11	Switch	F11
P16	F12	Switch	F12
P17	SW1	Switch	Page UP
P18	SW2	Switch	Page DOWN
P19	SW3	Switch	b
P20	SW4	Switch	w
P21	SW5	Switch	Esc
P22	SW6	Switch	Left Ctrl
P23	SW7	Switch	Left Shift
P24	SW8	Switch	Left Alt
P25	+5V	Power	Common

Warning:

Be careful not to short out connections on bottom of board to ground. Always place the board on a non conducting surface. Shorting the DIN connector pins to ground may blow a fuse on the motherboard supplying +5Volts to your keyboard , it's a real pain to fix.

Support , questions or suggestions:

3Tronics Gaming Interfaces

Tel: 250 352 3131

support@3tronics.com or rsdeluca@shaw.ca

www.3tronics.com